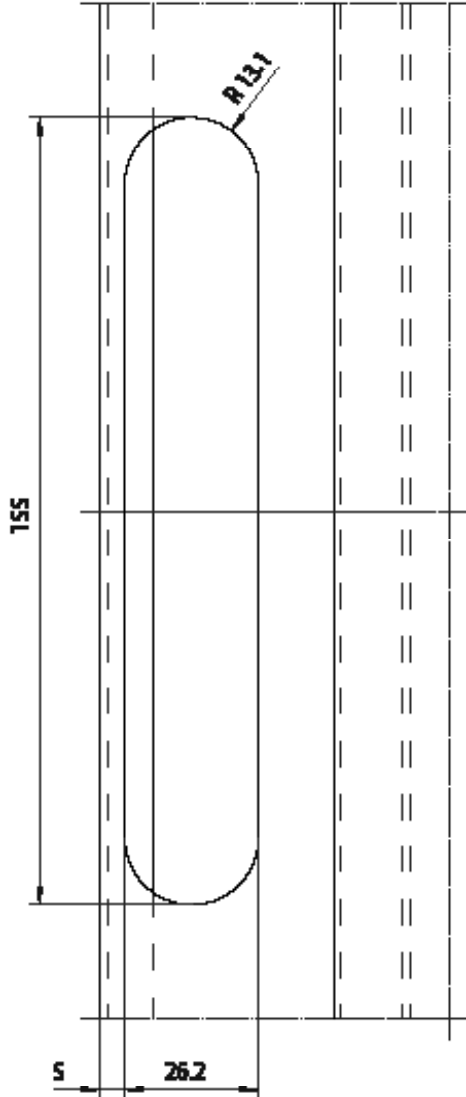
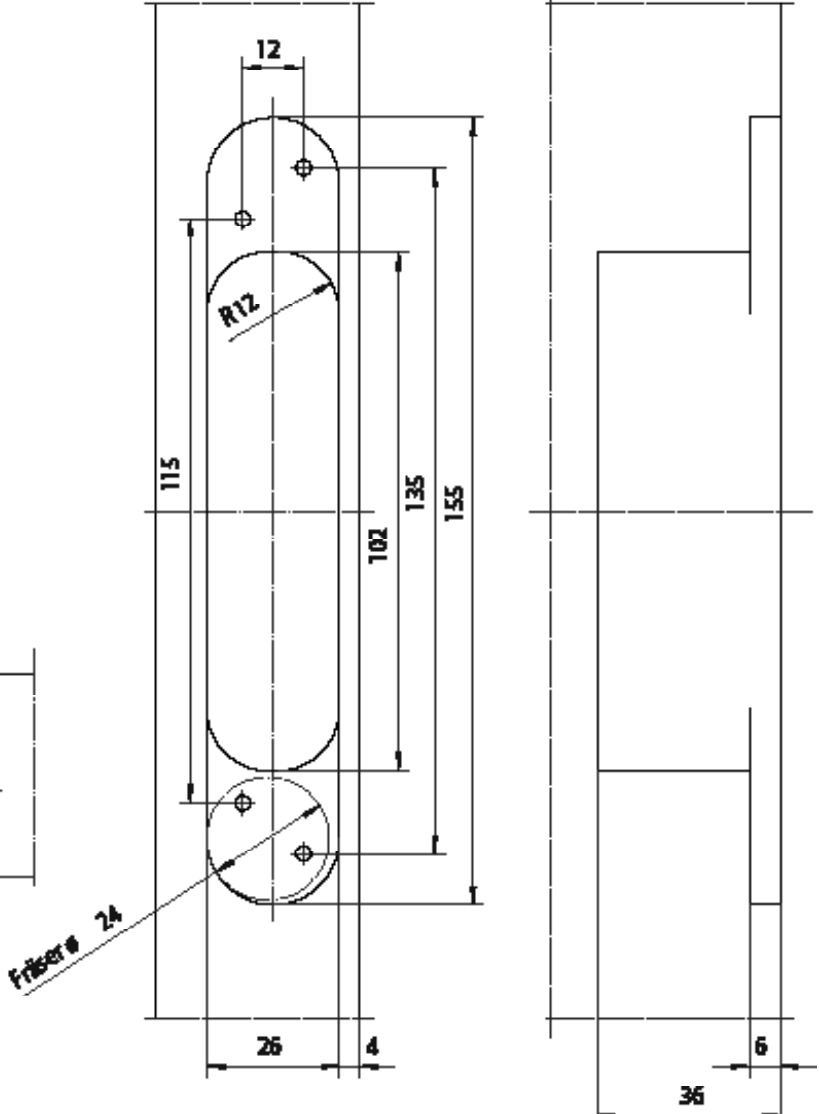
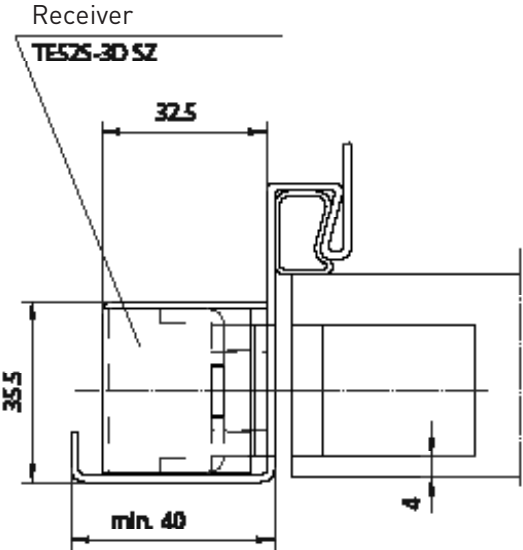


# TECTUS 526/527 3D : STEEL FRAME



MILLING : FRAME



MILLING : DOOR LEAF

fräser : cutter