

SIMONSWERK TECTUS®

TE 640 3D FZ/1

for unrebated, heavy-duty and high-performance doors with casing frames

Receiver	casing frame
-----------------	--------------

Descriptive Text

SIMONSWERK fixing plate TECTUS TE 640 3D FZ/1 for casing frames with TECTUS TE 640 3D hinge for unrebated doors. Finish...

Note

Delivery includes packers for casing thicknesses of 22-28 mm.

Combination

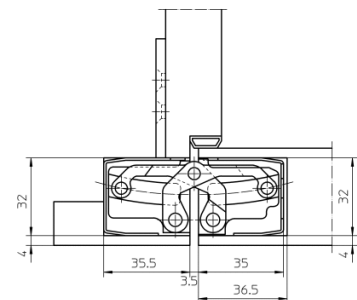
hinge	up to 200 kg	TE 640 3D
-------	--------------	-----------

Items (DIN direction: DIN right and left hand applicable)

finish(es)	galvanised
Packing unit	Pack of 10
Item number	5 400384 0 01006



front view



casing frame